

FLUE BOXES

For the installation of gas fires

- To existing chimneys
- In rooms without a chimney
- Radiant fires
- Living flame fires
- Decorative fuel effect fires
- Back boilers

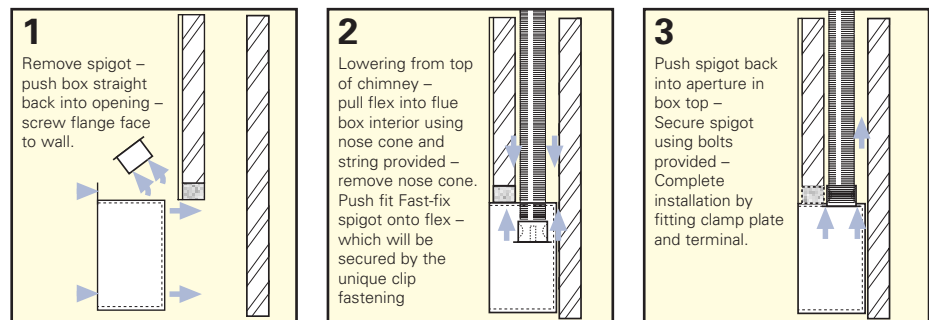
What is a flue box

The purpose of a flue box is to collect the flue gases emitted by the gas fire and direct them into a chimney for safe exhaust to open air. It is an open fronted metal collector box which fits behind the fire with an outlet to which the flue is attached. Versions are available which enable the fire to be fitted either to an existing chimney or to situate the fire where no suitable chimney exists.

Fitting a flue box into an existing chimney

Fast-fix works like this

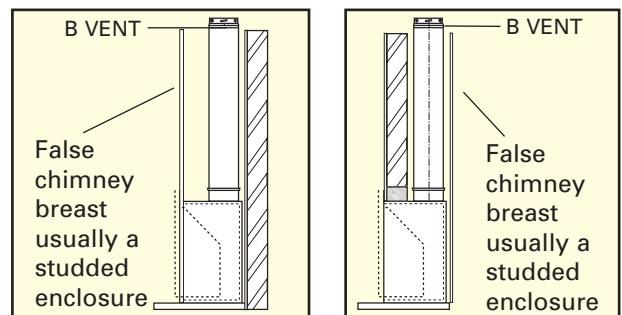
For existing chimneys the flue box is normally connected to a flexible chimney liner. Rite-Vent's unique new Fast-fix spigot makes the job much quicker and easier than before. Fast-fix greatly reduces the need for expensive builder's work and costly reparation after completion of the installation.



Fitting a flue box where no suitable chimney exists

For rooms without a chimney a gas fire can be fitted using a flue box and a rigid twin wall chimney. B Vent is ideal for most situations, although some decorative gas fires require a larger flue in which case an ICS or ICID chimney should be used.

- With the appropriate flue box the flue can be routed either in the same room or an adjoining room.
- The flue box has a twin wall construction to provide insulation and minimise the risk of condensation.



Which flue box and liner to choose

TYPES OF FIRE	SPECIFICATION	STANDARD	TYPE OF FLUE BOX	FLUE SIZE & TYPE
RADIANT	Suitable for radiant and convector radiant gas appliances using town gas, natural gas and liquid propane.	BS 7977-1 2002	Standard 0182125 Recessed 0183125 VRV T/Wall 7T95125 VRV S/Wall 7T91125 GF Box 7T98125	125mm Conforming to BS 715 e.g. B Vent or Flex
BACK BOILER UNIT	Combined Appliances: Gas fires/Back Boiler.	BS 7977-2 2003	Back Boiler Box 0165125 Flex	125mm Conforming to BS 715 e.g. B Vent or Flex
DFE OR DGF FIRES	Decorative Gas Log and other Fuel Effect Appliances up to 15 kw using natural gas and liquid propane.	BS EN 509: 2000	DGF Box 4090180 Turboflex	180mm Conforming to BS 4543 Pt 3
LIVING FLAME FIRES	Inset Live Fuel Effect Gas Fires up to 15kw. Not applicable to DFE fires as in Pt 12 using natural gas and liquid propane.	BS 7977-1 2002	ILFE Box 0188125 Flex/ 4089180 Turboflex	180mm Conforming to BS 4543 Pt 3 can be relaxed to accept 125mm flue to BS 715 (see appliance manufacturers installation specifications for appliance).

This information is provided as a guide only. In all cases for exact flue sizing recommendations refer to the appliance manufacturers instructions and design guide.

Flue box insulation

Condensation in the single skin flue box is minimised by insulating the outside of the box on site to comply with the appliance manufacturers installation instructions. Because of the air cavity in the twin skin box further insulation is generally not required.

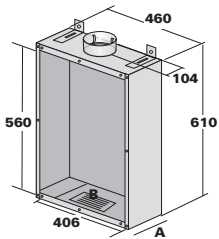
Flue boxes

Standard Flue Box

Ref: 0182125 for use with 125mm Wonderflex & Triplelock

Ref: 0185125 for use with 125mm B Vent

Designed for use with radiant and decorative gas fires complying to BS 7977-1 2002. Constructed with an aluminium liner and coated steel outer case.



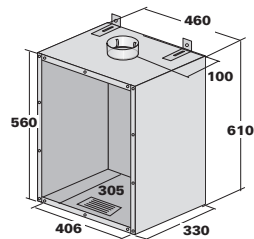
	A	B
Flex	196	165
B Vent	219	188

Recessed Flue Box

Ref: 0183125 for use with 125mm Wonderflex & Triplelock

Ref: 0184125 for use with 125mm B Vent

Designed with the spigot at the rear, for use with larger radiant and decorative gas fires. For gas fires to BS 7977-1 2002, also with B Vent installed in an adjoining room to the fire. Twin wall design.



ILFE Flue Box

Ref: 0188125 for use with Wonderflex & Triplelock

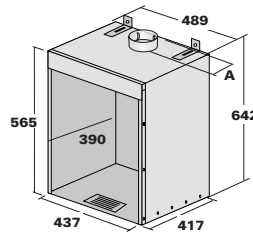
Ref: 4089180 for use with Turboflex Plus

Ref: 0189125 for use with 125 B Vent

Ref: J2141180 for use with 180mm ICS

Ref: 0341200 for use with 200mm ICID

For use with Inset Live Fuel Effect gas fires complying to BS 7977-1 2002, with a heat output not exceeding 7kw. Twin wall design.

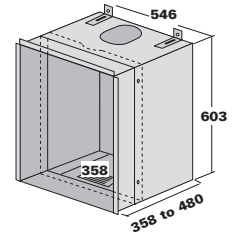


	A
Flex	122
Turbo	149
B Vent	131
ICS	170

Large Flue Box for Back Boiler

Ref: 0165125

Adjustable in depth from 358mm to 480mm to accommodate a wide range of back boilers, suitable for fires complying with BS 7977-2 2003. **Universal opening allowing connection to the boiler with B Vent or Flexible flue liner.**

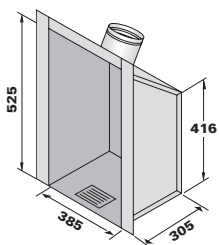


GF Flue Box

Ref: 7T98125 for use with 125mm Wonderflex & Triplelock

Single wall design with sloping back to help fit some openings.

For radiant gas fires complying with BS5258 (Pt 5).



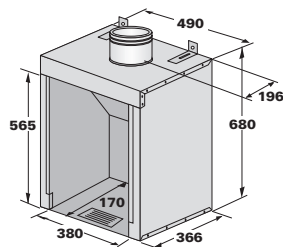
DGF Flue Box

Ref: 4090180 for use with Turboflex Plus

Ref: J2142180 for use with 180mm ICS

Ref: 0342200 for use with 200mm ICID

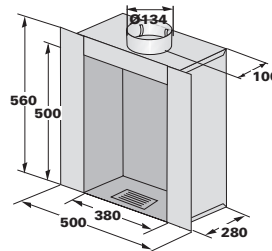
Manufactured with a ceramic inner wall, which simulates a fireplace opening, and a coated steel outer casing. Suitable for decorative gas fires with a heat input not exceeding 8kw. For appliances complying with BS EN 509: 2000.



VRV Single Skin Flue Box

Ref: 7T91125 for use with 125mm Wonderflex & Triplelock

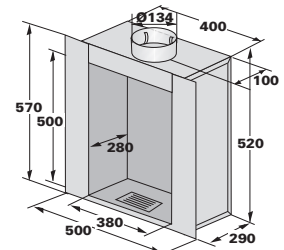
Suitable for fires complying to BS5258 (Pt 5). Fits most popular radiant gas fires including the widely used Valor Firelite Oxysafe. Reduced height, extra depth and extra large flanges minimise builders work on installation.



VRV Twin Wall Flue Box

Ref: 7T95125 for use with 125mm Wonderflex & Triplelock

Twin wall construction for reduced condensation. Otherwise as VRV Single Skin Box.



Every effort is made to ensure accuracy at time of going to press. However, as part of our policy of continual product development, we reserve the right to alter specifications without prior notice.



Flue Boxes

For installing gas fires and back boilers.
 Connection to single and twin skin flexible liners, B Vent, ICS or ICID.
 Fast fix spigot for flex connection avoids much of the building work.
 Single skin and twin skin air-insulated versions.

Other products in the Schiedel Rite-Vent range



B Vent

Twin wall gas venting system.
 Residential & small commercial applications.
 75-150mm internal diameters.
 Gas appliances up to 60kw input.



K Vent

Twin wall insulated venting system for oil (28 sec) and gas appliances.
 Residential and small commercial applications.
 100-150mm internal diameters.
 Oil appliances up to 45kw output.
 Gas appliances up to 60kw input.
 Interfits with B Vent gas vent.



ICID

Quick assembly twin wall insulated chimney system for gas, oil, wood and multifuel appliances and open hearths.
 Residential and small commercial applications.
 125-300mm internal diameters.
 Quick assembly twist-lock joint.
 For atmospheric appliances and Class 1 chimneys.



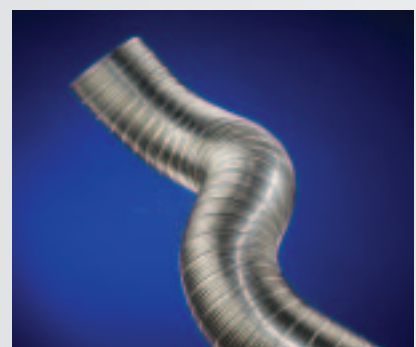
Prima

Single wall stainless steel flue system.
 80-755mm diameter range.
 Prima Plus 1mm for domestic multi fuel stoves.
 Prima Plus for large residential and commercial condensing gas and oil appliances and chimney relining.
 Prima SW for commercial warm air heaters, gas and oil venting and particle/fume extraction.



ICS

Twin wall insulated chimney system for gas, oil, wood and multifuel appliances and open hearths
 Residential and commercial applications.
 80-705mm internal diameters.
 For atmospheric, condensing and pressure appliances.
 Wet or dry flue and chimney operating conditions.



Flexible Liners

For relining existing chimneys to take gas, oil, wood, multifuel appliances and open fires.
 Single skin Wonderflex and Triplelock for gas and oil (28 sec).
 Twin skin Turboflex Plus for oil, wood, multifuel and open fires.
 80-400mm diameter range.



Schiedel Rite-Vent
 Crowther Estate
 Washington
 Tyne & Wear NE38 0AQ
 Tel. +44 (0)191 416 1150
 Fax. +44 (0)191 415 1263
 sales@rite-vent.co.uk
 www.rite-vent.co.uk

Schiedel Chimney Systems
 Carrickmacross
 Co. Monaghan
 Ireland
 Tel. +353 (0)42 966 1256
 Fax. +353 (0)42 966 2494
 office@schiedel.ie
 www.schiedel.ie