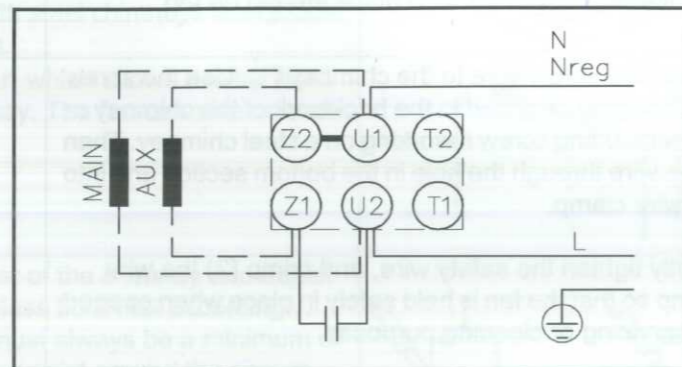


1.3 Wiring

Fan and motor specifications are provided on the fan's type plate. All the single-phased models are adjustable.

Wires are to be connected as per the wiring diagram. For further details, please see guidelines for the EXHAUSTO control units. All EXHAUSTO fans require extra safeguards in accordance with power current regulations.

Any lightning conductor connected to the fan must respect current applicable legislation.



Setting up the isolation switch:

EXHAUSTO A/S would like to draw attention to the fact that, in accordance with the EU's Machinery Directive*), an isolation switch must form a part of any flue gas fan system.

Such an isolation switch must be ...

- capable of being locked, or sited in a visible place in close proximity to the fan.
- able to break all poles from the supply voltage – contact gap minimum 3 mm at each pole.

Such a repair switch is not delivered with the unit from EXHAUSTO.

*) See the Machinery Directive 98/37/EEC, Annex 1 – section 1.60,3 'Isolating power sources'

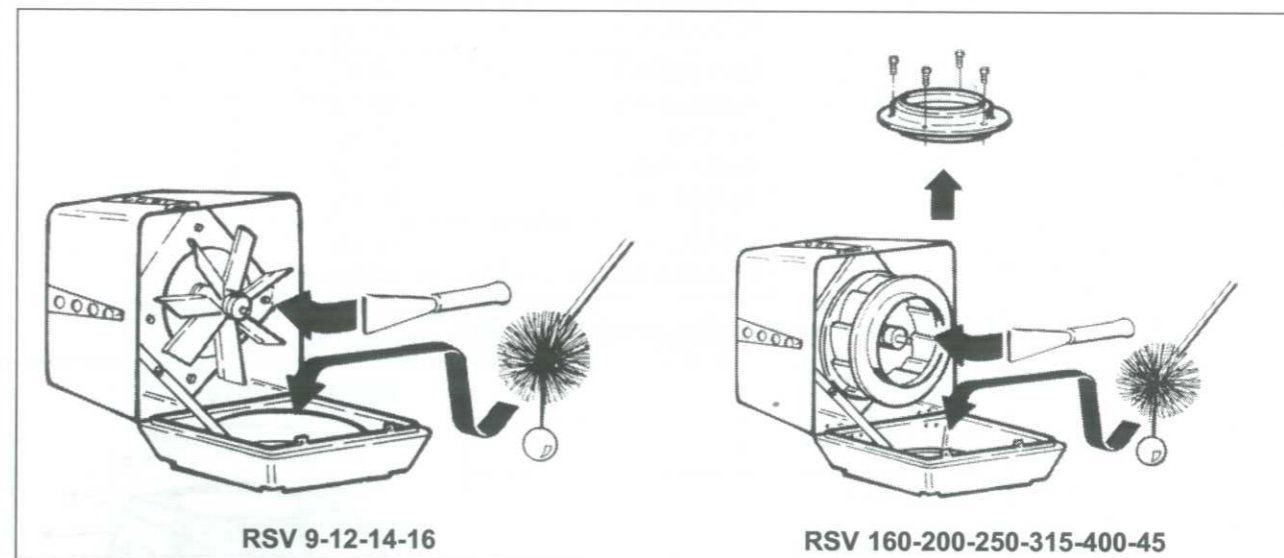
Connecting cable and wiring		Infinitely electronically adjustable	Protection
RSV009-4-1 RSV160-4-1	brown = L blue = Nreg. yellow/green = ⊕	Yes	The motor can be blocked (impedance-protected)
RSV012-4-1 RSV014-4-1 RSV016-4-1 RSV200-4-1 RSV250-4-1 RSV315-4-1 RSV400-4-1	brown = L blue = Nreg. yellow/green = ⊕	Yes	The motor requires overload protection
RSV250-4-3 RSV315-4-3 RSV400-4-3	brown = L1 blue = L2 black = L3 yellow/green = ⊕	No	
RSV400-4-2 RSV450-4-2	1 - L1 2 - L2 3 - L3 4 + 5 Thermocal switch yellow/green = ⊕	Yes, by frequency converter max. 60Hz	

1.4 Service and cleaning

The motor in the RSV fan has special ball bearings that are sealed, lifetime lubricated, and maintenance-free. Any replacement of these bearings should be carried out by technicians from EXHAUSTO SERVICE or similarly qualified professionals.

The fan should be checked and cleaned as required (though at least once a year), depending on the fuel being used. Respect the following procedure:

- Use the repair switch to switch off the fan. Wait until the fan stops rotating.
- Loosen the screw and open the top section of the fan so that it hangs on its hinges and the safety wire.
- Using a scraper or brush, carefully clean the vane / centrifugal impeller.
- Check the path taken by the smoke through the top and bottom sections of the fan for soot deposits, and clean where necessary with a scraper or brush.
- When the fan is open it is also possible to sweep the chimney. In the case of the RSV 160-400 it is recommended that the insert in the bottom section be removed prior to sweeping. This allows better access to the chimney.
- Check that there is free access for fresh air to the motor through the holes in the top section.
- If, once reassembled, the fan vibrates violently this might be due to an imbalance caused by dirt on the vane / centrifugal impeller. If so, clean these parts again. Make sure that any weights on the centrifugal impeller are not removed.



1.5 Technical specifications

At a distance of more than 5 metres the decibel count is less than 68 dB(A). This applies only when the RSV is mounted correctly. (For further details, see catalogue data.) The standard version of the RSV fan is designed to operate with a maximum flue gas temperature of 250°C. At higher temperatures, though maximum 300°C, the glass fibre mat should be replaced with adjusting screws (type RSD) or vibration dampers (type SVD.-RS) at the flange. See special guidelines for these parts.

1.6 Warranty

EXHAUSTO provides a two-year factory warranty on its flue gas fans, valid from invoice date.

EXHAUSTO fans must be installed by qualified technicians.

EXHAUSTO reserves the right to introduce changes to these guidelines without prior notice.